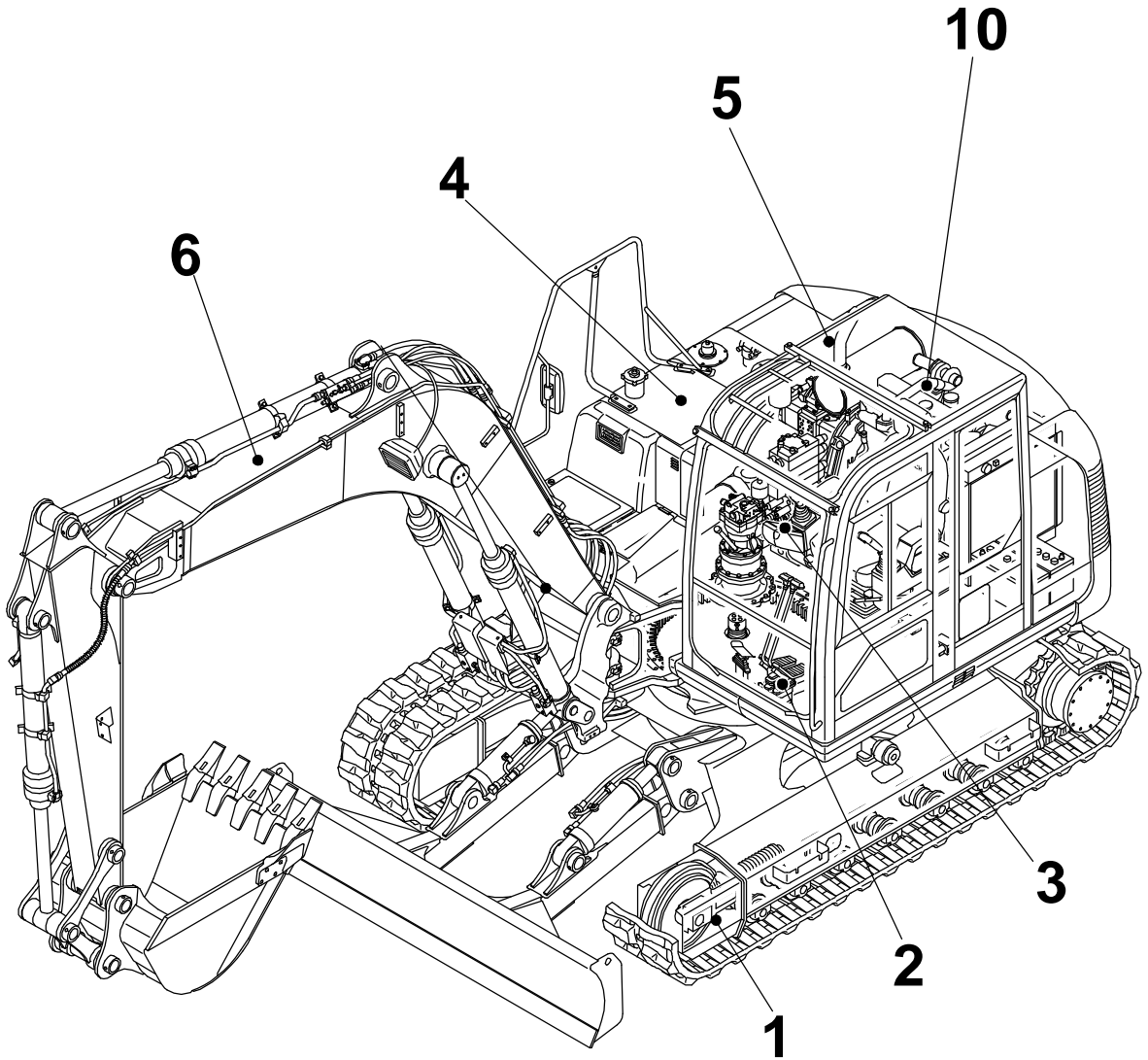


TB1140

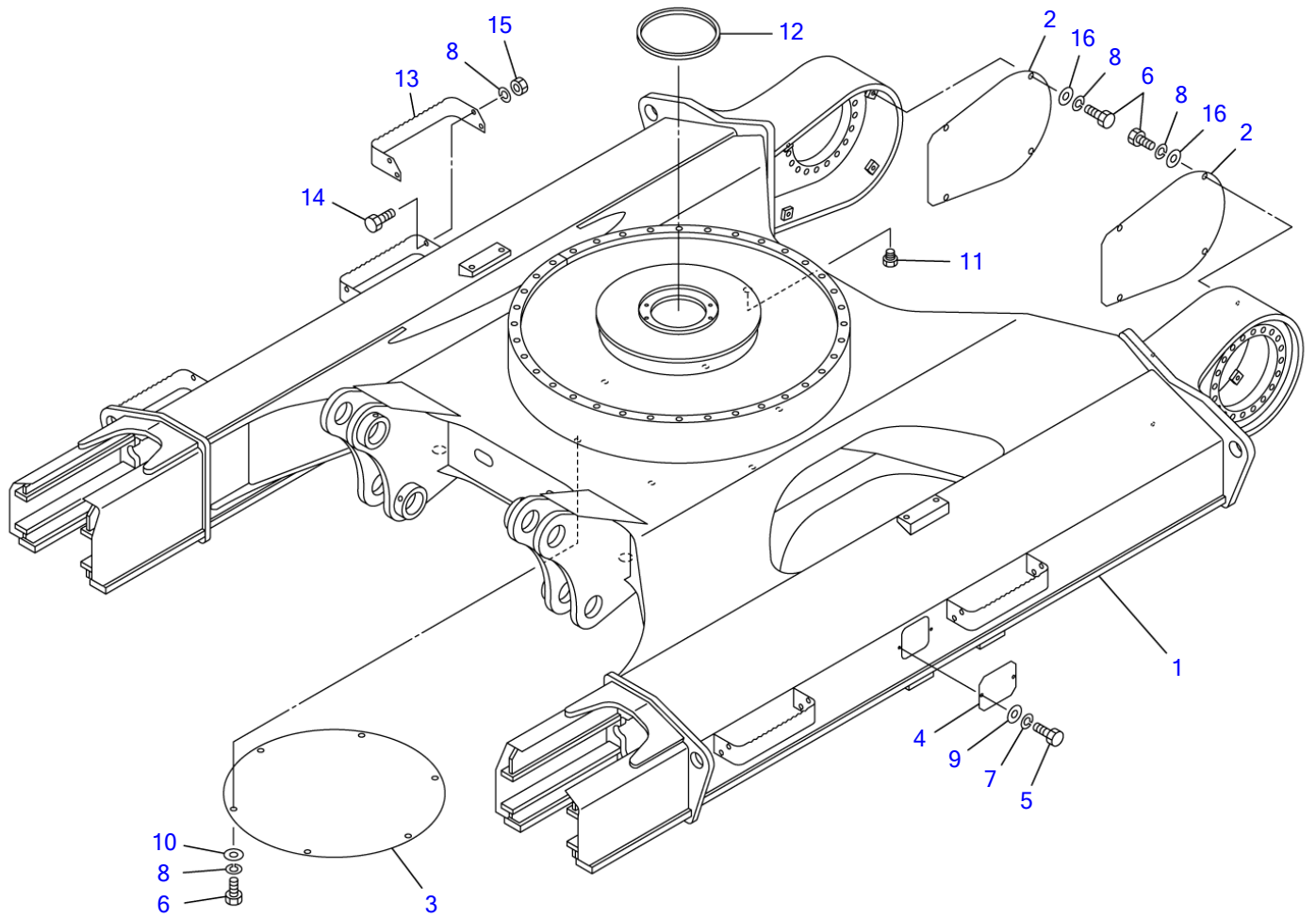
Book Nb.BN2Z002-1
Serial Nb.51420001-



TAKEUCHI

					INDEX						
Item	Part number	Description	Q'ty	Chan.	Serial No.	Serv.	Remarks				
1		UNDERCARRIAGE									
2		TURNTABLE & CONTROL LEVER									
3		ENGINE & ELECTRICAL SYSTEM									
4		HYDRAULIC PIPNG & TANK									
5		COVER & CAB									
6		HOE ATTACHMENT									
7		DECAL & TOOL									
8		HYDRAULIC DEVICE									
10		ENGINE(ISUZU 4JJ1XYSB01)									
		2007.11.29									
99		KITS, ATTACHMENTS AND QUICK REFERENCE									

TB1140 Book No. BN2Z001 S/N 51420001-
LOWER FRAME

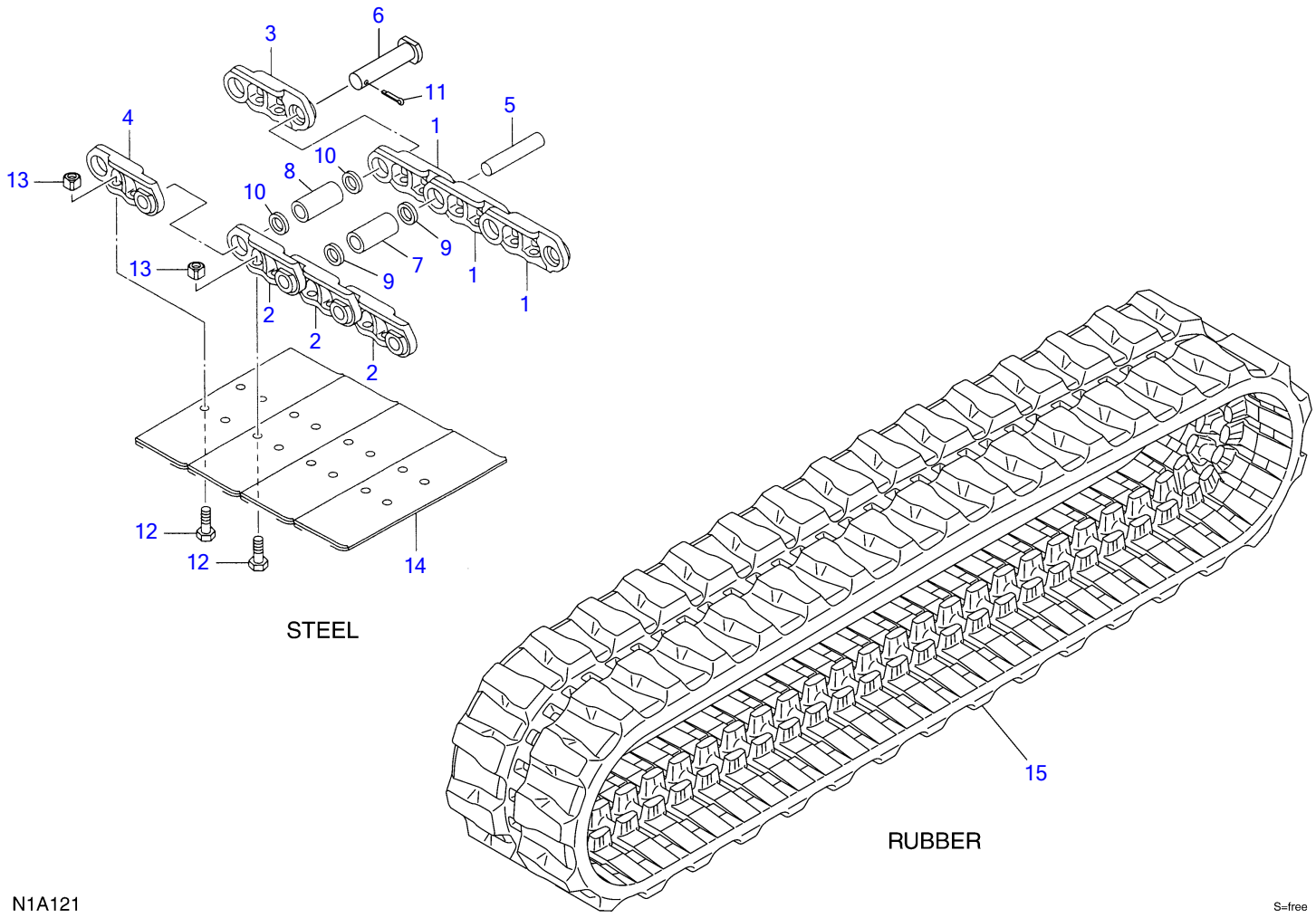


S=1/20

LOWER FRAME

Item	Part number	Description	Q'ty	Chan.	Serial No.	Serv.	Remarks
		FRAME ASSY, lower (500 wide)					X05710-01000-5
		FRAME ASSY, lower (600 wide)					X05710-01500-5
		FRAME ASSY, lower (700 wide)					X05710-01600-5
1	X *****	FRAME, lower	1				
2	0571001010	COVER	2				
3	0571000110	COVER	1				
4	0561017400	COVER	2				
5	1100040816	BOLT	4				
6	1100041225	BOLT	14				
7	1140020008	WASHER, spring	4				
8	1140020012	WASHER, spring	30				
9	1141110008	WASHER	4				
10	0003600024	WASHER	6				
11	1501710010	PLUG	1				
12	1654625070	TRIM	1				sold by the meter
13	0571001510	STEP	4				600 wide
	0571001610	STEP	4				700 wide
14	1100041235	BOLT	22				
15	1130040012	NUT	16				
16	1141110012	WASHER	8				
	N1a012						

TB1140 Book No. BN2Z001 S/N 51420001-
CRAWLER BELT



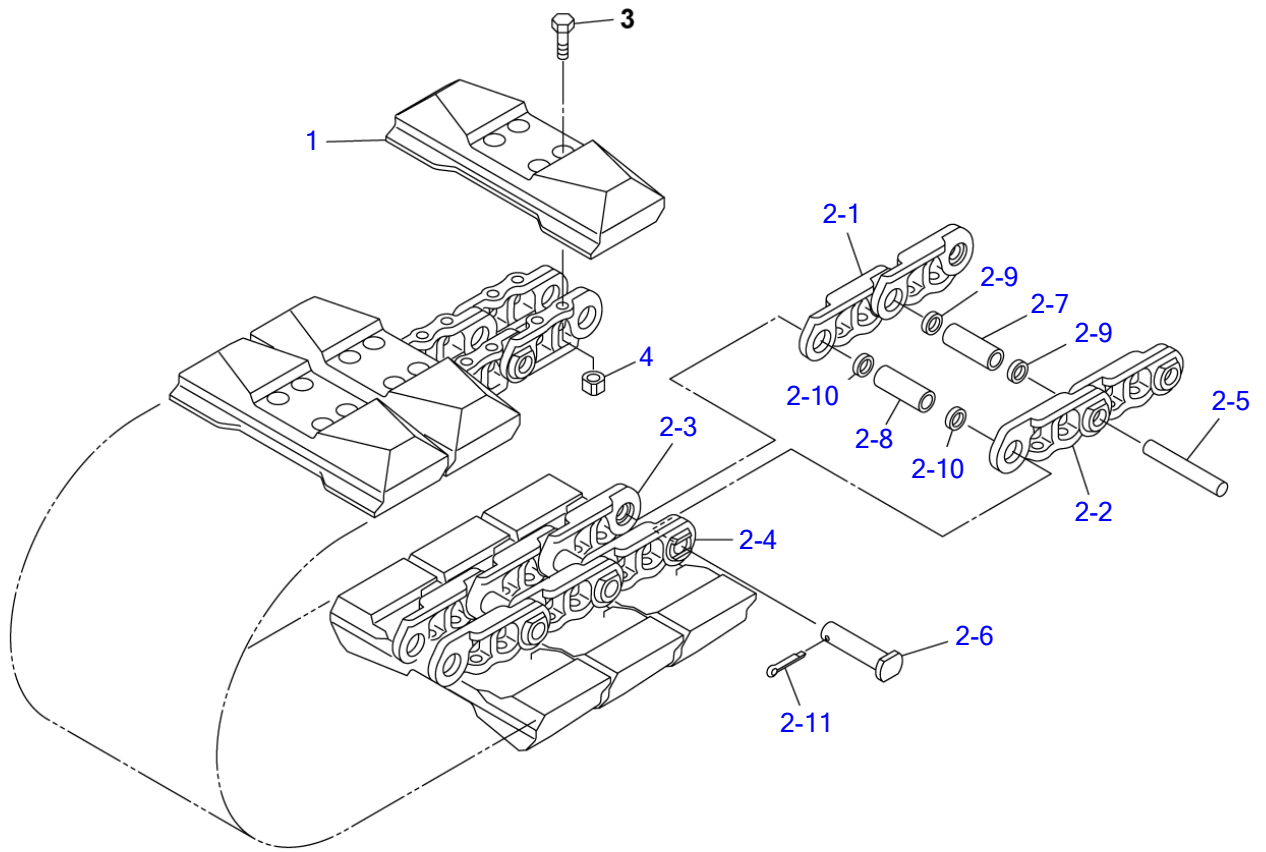
N1A121

S-free

CRAWLER BELT

Item	Part number	Description	Q'ty	Chan.	Serial No.	Serv.	Remarks
0	1914303000	BELT, steel crawler (500mm shoe)	2				X19143-03000-1
	1914303100	BELT, steel crawler (600mm shoe)	2				X19143-03100-1
	1914303200	BELT, steel crawler (700mm shoe)	2				X19143-03200-1
1	1914303001	▪ LINK, track (R.H.)	43				
2	1914303002	▪ LINK, track (L.H.)	43				
3	1914303003	▪ LINK, master (R.H.)	1				
4	1914303004	▪ LINK, master (L.H.)	1				
5	1914303005	▪ PIN, track	43				
6	1914303006	▪ PIN, track master	1				
7	1914303007	▪ BUSH, track	43				
8	1914303008	▪ BUSH, track master	1				
9	1914303009	▪ SEAL, dust	86				
10	1914303010	▪ SPACER	2				
11	1914303011	▪ PIN, coter	1				
12	1914303012	▪ BOLT	176				
13	1914303013	▪ NUT	176				
14	1914303014	▪ PLATE	44				500mm shoe
	1914303114	▪ PLATE	44				600mm shoe
	1914303214	▪ PLATE	44				700mm shoe
15	1914301520	BELT, rubber crawler	2				
	N2a010						

TB1140 Book No. BN2Z001 S/N 51420001-
CRAWLER BELT (with rubber pads)



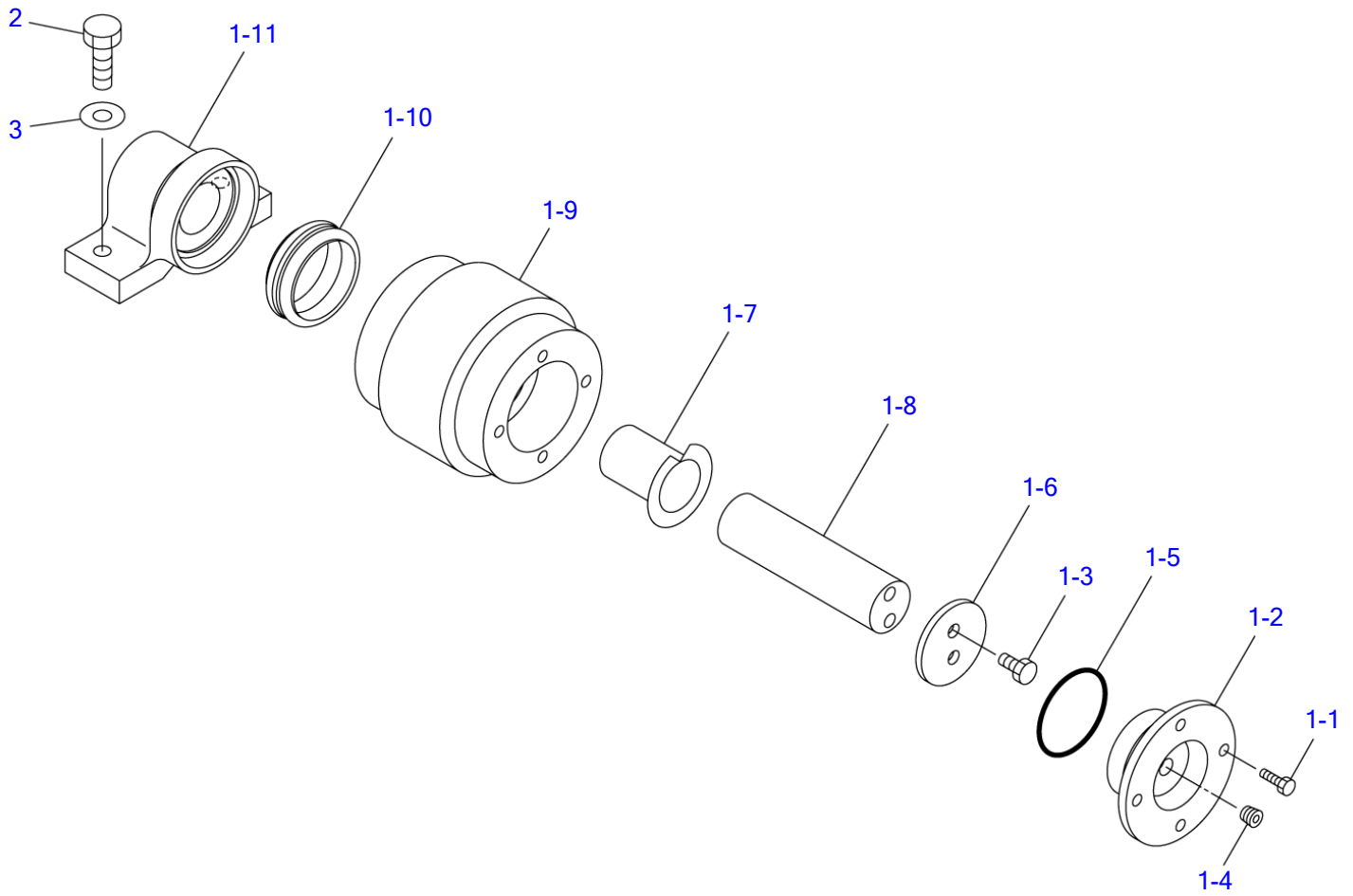
N1A021

S=1/12

CRAWLER BELT (with rubber pads)

Item	Part number	Description	Q'ty	Chan.	Serial No.	Serv.	Remarks
0	0571100000	BELT, segment rubber crawler	2				X05711-00000-0
1	1914401000	▪ PAD, rubber	44				
2	1914303020	▪ LINK ASSY	1				
2-1	1914303001	▪ ▪ LINK, track (R.H.)	43				
2-2	1914303002	▪ ▪ LINK, track (L.H.)	43				
2-3	1914303003	▪ ▪ LINK, master (R.H.)	1				
2-4	1914303004	▪ ▪ LINK, master (L.H.)	1				
2-5	1914303005	▪ ▪ PIN, track	43				
2-6	1914303006	▪ ▪ PIN, track master	1				
2-7	1914303007	▪ ▪ BUSH, track	43				
2-8	1914303008	▪ ▪ BUSH, track master	1				
2-9	1914303009	▪ ▪ SEAL, dust	86				
2-10	1914303010	▪ ▪ SPACER	2				
2-11	1914303011	▪ ▪ PIN, coter	1				
3	1914303012	▪ BOLT	176				
4	1914303013	▪ NUT	176				
	N1a021						

TB1140 Book No. BN2Z001 S/N 51420001-
CARRIER ROLLER



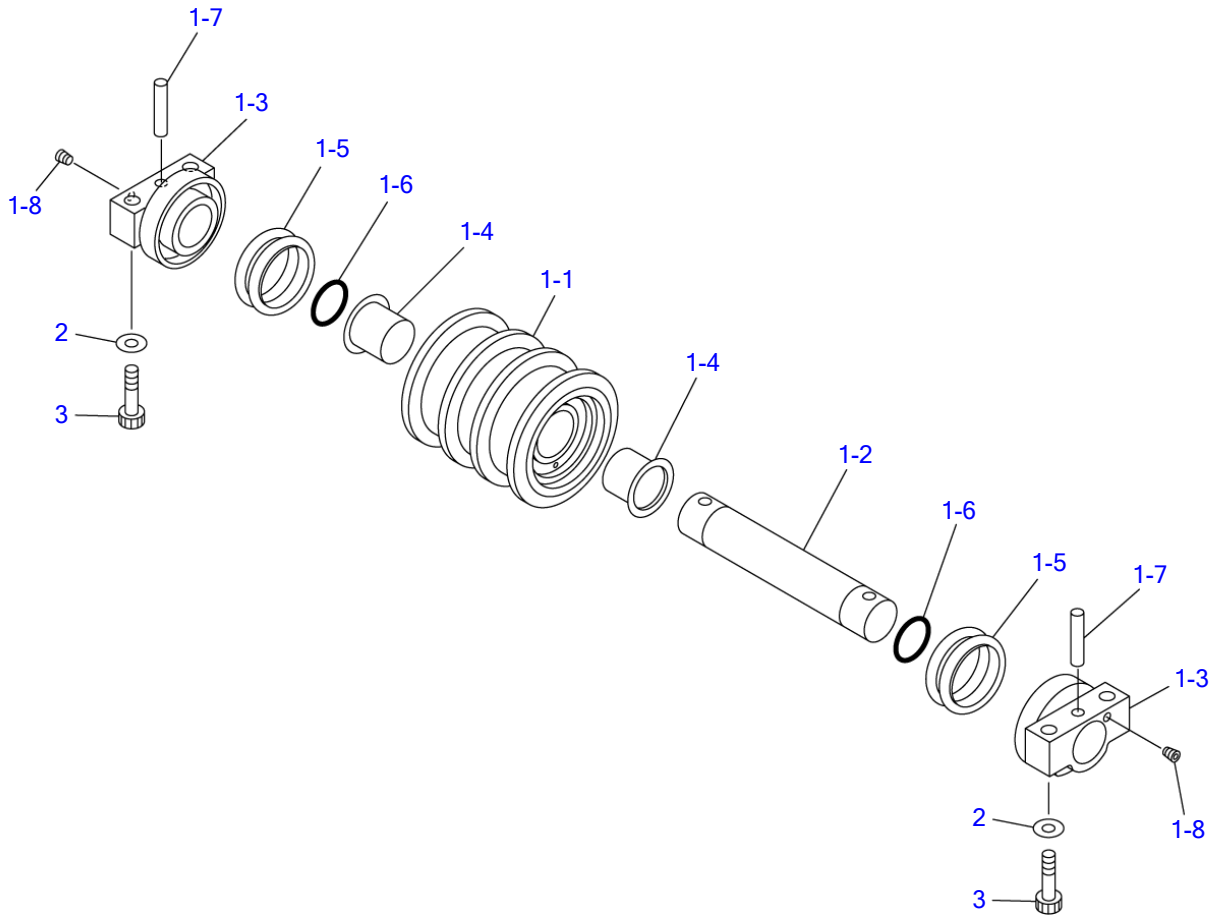
N1A030

S=1/5

CARRIER ROLLER

Item	Part number	Description	Q'ty	Chan.	Serial No.	Serv.	Remarks
		ROLLER ASSY, carrier					X05712-00000-0
1	0571200100	ROLLER ASSY	2				
1-1	1100040820	▪ BOLT	4				
1-2	0571200102	▪ COVER	1				
1-3	1100041016	▪ BOLT	2				
1-4	1501810002	▪ PLUG	1				
1-5	1420100650	▪ O-RING	1				
1-6	0571200106	▪ PLATE	1				
1-7	0571200107	▪ BUSHING	1				
1-8	0571200108	▪ SHAFT	1				
1-9	0571200109	▪ ROLLER	1				
1-10	0571200110	▪ SEAL, floating	1				
1-11	0571200111	▪ BRACKET	1				
2	1101041640	BOLT	4				
3	1141550016	WASHER	4				
	N1a031						

TB1140 Book No. BN2Z001 S/N 51420001-
TRACK ROLLER

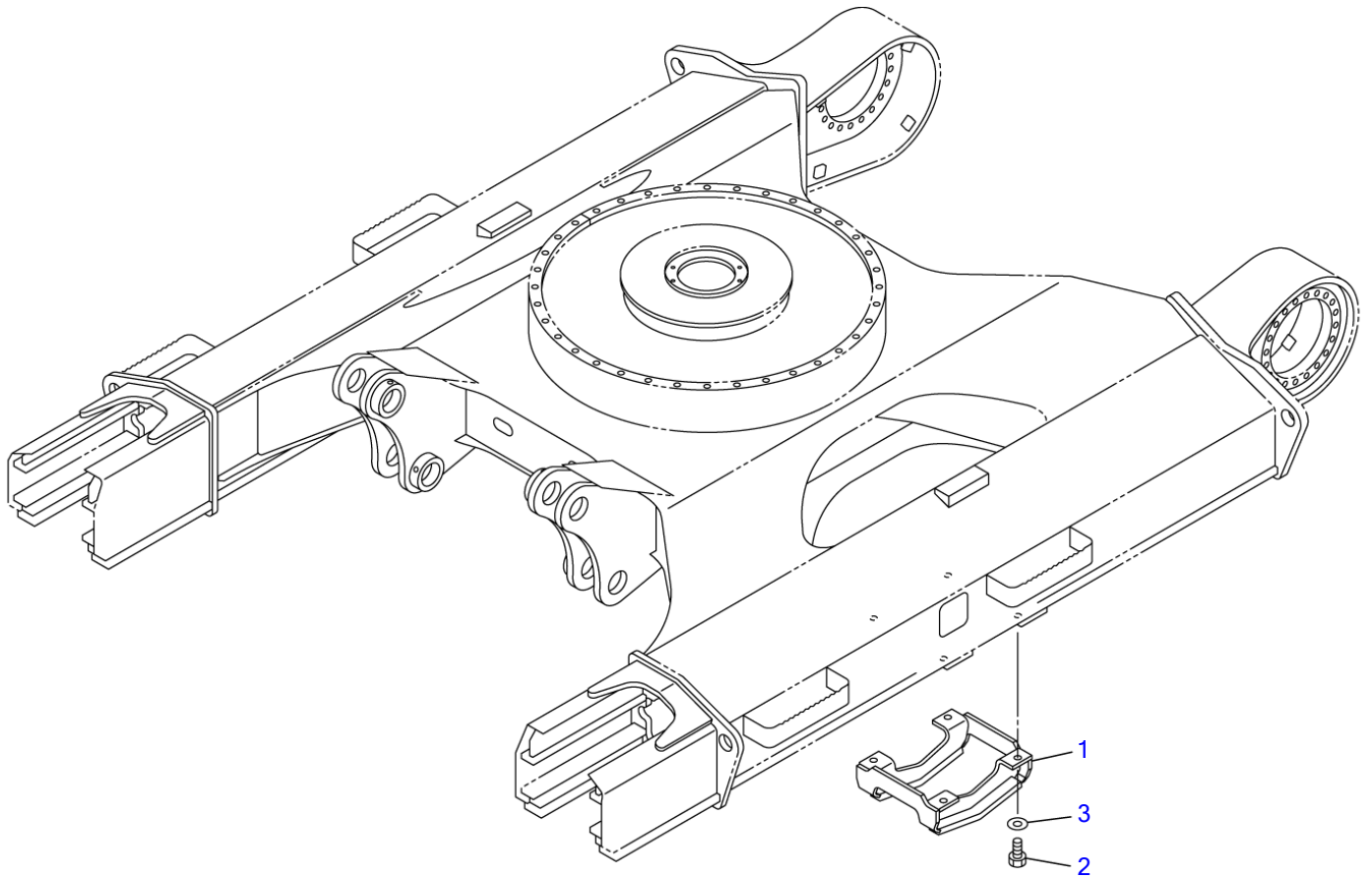


N1A040

S=1/8

TRACK ROLLER

Item	Part number	Description	Q'ty	Chan.	Serial No.	Serv.	Remarks
		ROLLER ASSY, track					X05713-00000-2
1	0571300100	ROLLER ASSY	14				
1-1	0571300110	▪ ROLLER	1				
1-2	0571300120	▪ SHAFT	1				
1-3	0571300130	▪ COLLAR	2				
1-4	0571300140	▪ BUSHING	2				
1-5	1432500730	▪ SEAL, floating	2				
1-6	1420110450	▪ O-RING	2				
1-7	0571300170	▪ PIN	2				
1-8	1501810001	▪ PLUG	2				
2	1141550016	WASHER	56				
3	1111021670	BOLT	56				
	N1a043						



N2A020

S=1/20

TRACK GUARD							
Item	Part number	Description	Q'ty	Chan.	Serial No.	Serv.	Remarks
		GUARD ASSY, track					X05717-00000-0
1	0571700010		2			M	
2	1101041635	BOLT	8			M	
3	1141550016	WASHER	8				
	N2a020						

Thanks for your reading.

Please click here to download complete manual instantly.

And can also choose other manuals.

Feel free --->write to me with any questions.

Our service email:

manuals007@hotmail.com