

# **7760 Cruz-Crane Carrier Mounted**

## **Service Manual**

**S406228**

**Reprinted**

***CASE***

## TABLE OF CONTENTS

### GENERAL

Safety Precautions . . . . .	3,4
Introduction . . . . .	5
Parts and Service . . . . .	5
Nomenclature . . . . .	6
General Description . . . . .	7
Directional Reference . . . . .	8

### SECTION 1 - SCHEDULED PREVENTIVE MAINTENANCE

Introduction . . . . .	9
Hydraulic Oil Recommendations . . . . .	10
Hydraulic System Operating Pressures . . . . .	10
Component Capacities . . . . .	11
Preventive Maintenance Schedule . . . . .	12,13
Service Chart . . . . .	14 thru 16
Pictorial Listing of Grease Fitting Locations . . . . .	17,18

### SECTION 2 - SERVICING THE CARRIER AND ENGINE

Carrier Servicing Introduction . . . . .	19
Engine Maintenance and Service . . . . .	19
Engine Cooling System Maintenance . . . . .	19
Engine Air Cleaner Maintenance . . . . .	20
Engine Performance Check . . . . .	20
Throttle Linkage . . . . .	20 thru 22
Carrier Hydraulic System . . . . .	23,24
Carrier Air System . . . . .	24
Carrier Electrical System - (See Electrical Section)	

### SECTION 3 - THE MECHANICAL SYSTEM

Description, Maintenance and Troubleshooting . . . . .	25 thru 41
Pump Drive . . . . .	25,26
Turntable Swing . . . . .	26 thru 30
Boom Assembly . . . . .	30 thru 38
Winches and Wire Rope . . . . .	38 thru 41
Counterweight . . . . .	41
Disassembly and Repair . . . . .	42 thru 74
General Cleaning Instructions . . . . .	42
Pump Disconnect . . . . .	43,44
Accelerator and Swing Brake Master Cylinder . . . . .	45,46
Accelerator Slave Cylinder . . . . .	46
Swing Brake . . . . .	47,48
Swing Gearbox . . . . .	49 thru 52
Center Swivel . . . . .	52,53
Boom Removal and Repair . . . . .	54 thru 56
Removal of Hoist and Crowd Cylinders . . . . .	56
Winches . . . . .	57 thru 72
Dual Hose Reel . . . . .	72,73
Hoist Blocks . . . . .	74

## TABLE OF CONTENTS (CON'T.)

### SECTION 4- THE AIR SYSTEM

General Description . . . . .	75
Outrigger Air System . . . . .	75,76

### SECTION 5 - THE ELECTRICAL SYSTEM

Introduction . . . . .	77
7760 Electrical System - General Description . . . . .	77,78
Special Precautions . . . . .	78,79
Crane Electrical . . . . .	79 thru 89
Disassembly and Repair . . . . .	90 thru 96

### SECTION 6 - THE HYDRAULIC SYSTEM

Description, Maintenance and Troubleshooting . . . . .	97 thru 121
Introduction . . . . .	97
General Description and System Maintenance . . . . .	98 thru 100
Hydraulic System Flushing Procedure . . . . .	101
Hydraulic System Troubleshooting . . . . .	102,103
Main System Hydraulics . . . . .	103 thru 110
Hoist Hydraulics . . . . .	110 thru 113
Crowd Hydraulics . . . . .	113 thru 116
Swing Hydraulics . . . . .	116 thru 118
Winch Hydraulics . . . . .	118 thru 120
Counterweight Hydraulic Circuit . . . . .	121
Disassembly and Repair . . . . .	122 thru 141
Main Pump . . . . .	122 thru 127
Main Control Valves . . . . .	128 thru 130
Hydraulic Swivel . . . . .	128 thru 130
Hoist Cylinder . . . . .	133,134
Crowd Cylinder . . . . .	135,136
Counterweight Cylinder . . . . .	136,137
Swing Motor . . . . .	138,139
Sequencing Valve . . . . .	139,140
Flow Proportionator . . . . .	140,141

### TORQUE CHARTS AND SCHEMATICS . . . . . 142 THRU 145

**NOMENCLATURE**

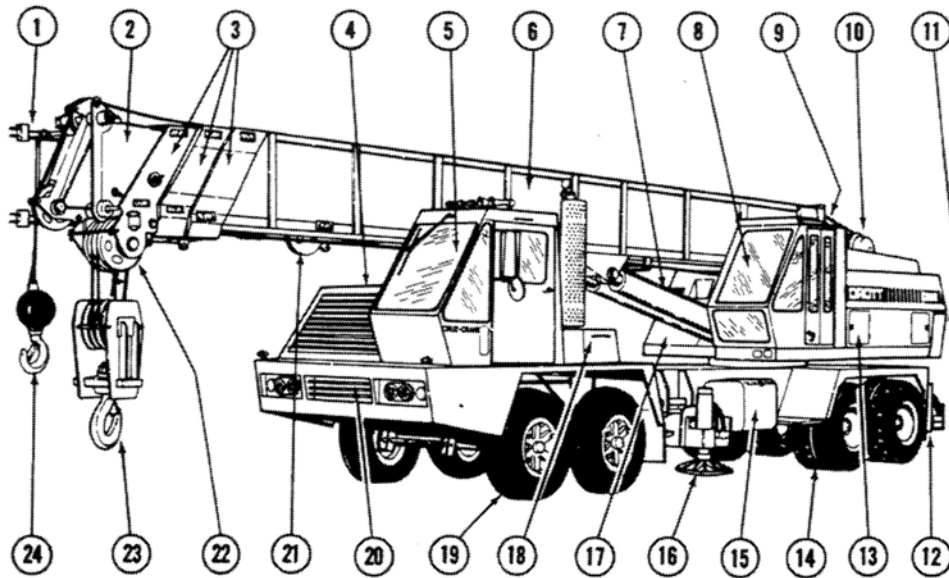


Figure 4. Nomenclature

- |   |  |
|---|--|
| <ul style="list-style-type: none"> <li>1. 30' Lattice FLY Section - (Shown in Stowed position)</li> <li>2. Extendable 4th Section</li> <li>3. Powered Boom Sections</li> <li>4. Engine Compartment and location of Carrier Hydraulic Reservoir</li> <li>5. Carrier Cab</li> <li>6. Location of Crowd Cylinders - (inside of boom)</li> <li>7. Hoist Cylinders</li> <li>8. Crane Cab w/controls</li> <li>9. Location of Winch 1</li> <li>10. Winch 2</li> <li>11. Extendable Counterweight</li> <li>12. Left Rear Outrigger w/pad removed</li> </ul> | <ul style="list-style-type: none"> <li>13. Location of Main Control Valves - left side</li> <li>14. Tandem Drive Axles</li> <li>15. Fuel Tank - (Crane hydraulic reservoir on side opposite)</li> <li>16. Left front outrigger w/pad installed</li> <li>17. Location of Swing Mechanism</li> <li>18. Location of batteries</li> <li>19. Tandem Steering Axles</li> <li>20. Location of Main Hydraulic Pump (Crane)</li> <li>21. 20' A-Frame Jib - (in stowed position)</li> <li>22. Boom Head Sheaves - (Winch 1)</li> <li>23. 50 Ton Hoist Block</li> <li>24. Overhaul Ball and Hook - (Winch 2)</li> </ul> |
|---|--|

**Thanks for your reading.**

**Please click here to download complete manual instantly.**

**And can also choose other manuals.**

**Feel free --->write to me with any questions.**

**Our service email:**

**manuals007@hotmail.com**