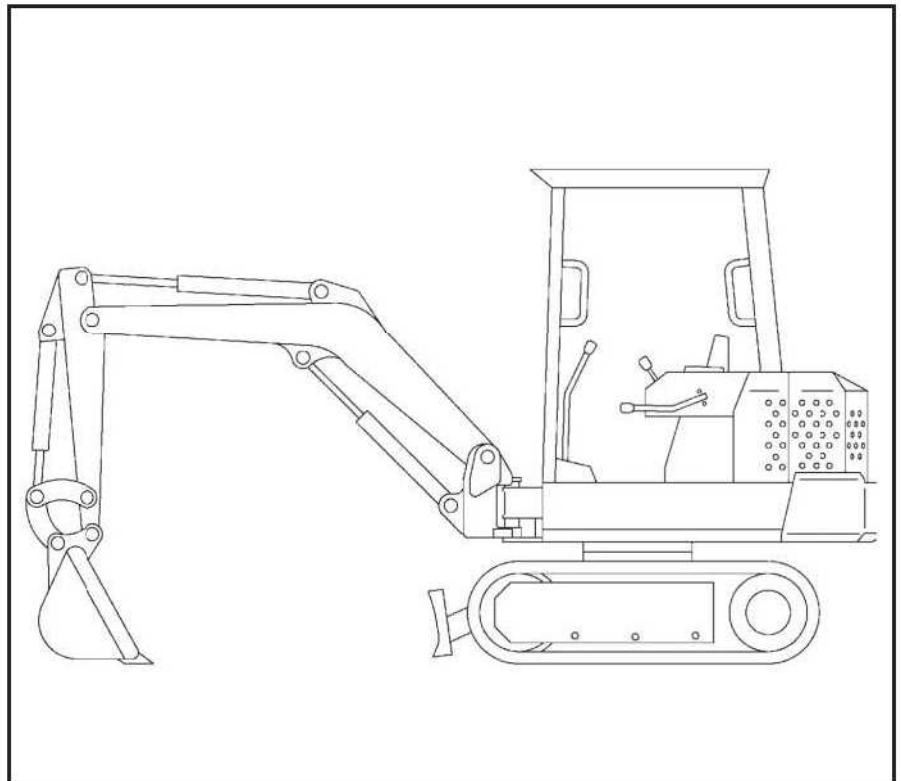


X 231

Excavator

Service Manual

(S/N 508912001 & Above)



MELROE
INGERSOLL-RAND

6722178(3-92)

Printed in U.S.A.



© Melroe Company 1992

CONTENTS

SAFETY	i
PREVENTIVE MAINTENANCE	1-1
HYDRAULIC SECTION	2-1
DRIVE SECTION	3-1
UPPER WORKS & SWING SECTION	4-1
MAIN FRAME & TRACKS	5-1
ELECTRICAL SYSTEM	6-1
ENGINE SERVICE	7-1
TECHNICAL DATA	8-1

SAFETY

PREVENTIVE
MAINTENANCE

HYDRAULIC
SECTION

DRIVE
SECTION

UPPER WORKS
& SWING
SECTION

MAIN FRAME
& TRACKS

ELECTRICAL
SYSTEM

ENGINE
SERVICE

TECHNICAL
DATA

Dealer Copy -- Not for Resale

Please Click Here To Download The Complete Manual
Download Other Manuals
If Having Any Questions Feel Free To Contact us

admin@servicemanualbit.com