

PARTS MANUAL

**J40XM2, J50XM2,
J60XM2, J65XM2
(A216)**

CUSTOMER EDITION

HYSTER

SECTIONS

1	FRAME
2	ELECTRICAL SYSTEM
3	DRIVE UNIT
4	STEERING SYSTEM
5	BRAKE/ACCELERATOR SYSTEM
6	HYDRAULIC SYSTEM
7	MAST-TWO STAGE LIMITED FREE-LIFT
8	MAST-THREE STAGE FULL FREE-LIFT
9	MAST-TWO STAGE FULL FREE-LIFT
10	OPTIONS
11	NUMERICAL INDEX

This Parts Manual is divided into 11 major sections which are listed above. Quick reference to these sections can be made by placing the right thumb on the tab of the desired section, bending the book back and thumbing the pages to the corresponding tab.

TABLE OF CONTENTS

DESCRIPTION	PAGE
A	
ACCELERATOR	5-14
ACCELERATOR PEDAL.....	5-16
B	
BACKUP ALARM	10-30
BRAKE	5-6
BRAKE PEDAL LINKAGE	5-2
BRAKE/BACKUP LIGHT	10-22
C	
CONTACTOR	2-18
1A AND REGENERATIVE BRAKING	2-16
CONTACTOR PANEL	
CONTACTOR HYDRAULIC	2-12
CONTROL	2-10
CONTACTOR STEERING	2-14
CONTROL PANEL	
CONTACTOR HYDRAULIC	2-6
TRANSISTOR HYDRAULIC	2-8
CONTROL VALVE	
FOUR FUNCTION	6-50
THREE FUNCTION	6-46
CONTROL VALVE ATTACHING PARTS	
⇒ S/N PENDING PER ECN 92098	6-34
S/N PENDING PER ECN 92098⇒	6-36
COUNTERWEIGHT	1-14
COVERS	1-6
COWL ELECTRICAL.....	2-20
D	
DC-DC CONVERTER	
36/48 VOLT TO 12 VOLT	10-29
DRIVE AND REAR LIGHTS	10-24
DRIVE AXLE	3-2
DRIVE MOTOR MOUNT	6-4
E	
ELECTRICAL	2-2
F	
FORK	
THREE STAGE FULL FREE-LIFT	8-33
TWO STAGE FULL FREE-LIFT	9-35
TWO STAGE LIMITED FREE-LIFT	7-27
FOUR ROLLER CARRIAGE	
TWO STAGE FULL FREE-LIFT	9-24
TWO STAGE LIMITED FREE-LIFT	7-16
FRAME	1-4
FREE-LIFT	
THREE STAGE FULL FREE-LIFT	8-12

TABLE OF CONTENTS (Continued)

DESCRIPTION	PAGE
F (continued)	
TWO STAGE FULL FREE-LIFT	9-8
FREE-LIFT CYLINDER	
THREE STAGE FULL FREE-LIFT	8-20
TWO STAGE FULL FREE-LIFT	9-20
G	
GEAR PUMP	4-14
OPTIONAL.....	4-16
GENERAL TRUCK	1-2
H	
HAND LEVER	
⇒ S/N PENDING PER ECN 92098	6-38
S/N PENDING PER ECN 92098⇒	6-42
HEADER HOSE	
THREE STAGE FULL FREE-LIFT	8-30
TWO STAGE FULL FREE-LIFT	9-32
TWO STAGE LIMITED FREE-LIFT.....	7-24
HOOD.....	1-10
HYDRAULIC.....	6-2
HYDRAULIC MOTOR	
CLOSED CONSTRUCTION	
S/N PENDING PER ECN 73755⇒	6-28
S/N PENDING PER ECN 73755⇒	6-20
HYDRAULIC PUMP	
12 CC SINGLE GEAR PUMP	6-6
OPTIONAL	6-8
19 CC DOUBLE GEAR PUMP	
LOW NOISE	6-16
19 CC SINGLE GEAR PUMP	6-12
19CC SINGLE GEAR PUMP	
OPTIONAL	6-14
OPTIONAL.....	6-10
HYDRAULIC PUMP MOTOR	
CLOSED CONSTRUCTION WITH BWI	6-26
OPEN CONSTRUCTION WITH BWI.....	6-24
OPEN CONSTRUCTION WITHOUT BWI	
⇒ S/N PENDING PER ECN 73755	6-18
OPTIONAL	6-22
WITH BWI	
OPTIONAL	
⇒ S/N PENDING PER ECN 73755.....	6-30
HYDRAULIC TANK.....	6-54
I	
INNER MAST	
THREE STAGE FULL FREE-LIFT	8-6
TWO STAGE FULL FREE-LIFT	9-4
TWO STAGE LIMITED FREE-LIFT.....	7-4

TABLE OF CONTENTS (Continued)

DESCRIPTION	PAGE
I (continued)	
INTEGRAL SIDE-SHIFT	
HYDRAULIC HOSES	
THREE STAGE FULL FREE-LIFT	10-19
TWO STAGE FULL FREE-LIFT	10-20
TWO STAGE LIMITED FREE-LIFT	10-18
INTEGRAL SIDE-SHIFT CARRIAGE	
THREE STAGE FULL FREE-LIFT	10-12
TWO STAGE FULL FREE-LIFT	10-14
TWO STAGE LIMITED FREE-LIFT	10-10
INTEGRAL SIDE-SHIFTER CYLINDER	10-16
INTERMEDIATE MAST	
THREE STAGE FULL FREE-LIFT	8-4
L	
LABELS	1-21
LIFT	
TWO STAGE LIMITED FREE-LIFT	7-6
LIFT CYLINDER	
TWO STAGE LIMITED FREE-LIFT (J40-50XM2)	7-9
LIFT CYLINDER (J60-65XM2)	
TWO STAGE LIMITED FREE-LIFT	
⇒ S/N PENDING PER ECN 73680	7-11
S/N PENDING PER ECN 73680⇒	7-13
LOAD BACKREST EXTENSION	
THREE STAGE FULL FREE-LIFT	8-26
TWO STAGE FULL FREE-LIFT	9-28
TWO STAGE LIMITED FREE-LIFT	7-20
M	
MAIN CYLINDER	
THREE STAGE FULL FREE-LIFT	8-16
MAIN CYLINDER (LEFT HAND)	
TWO STAGE FULL FREE-LIFT	
⇒ S/N PENDING PER ECN 73680	9-11
S/N PENDING PER ECN 73680⇒	9-13
MAIN CYLINDER (RIGHT HAND)	
TWO STAGE FULL FREE-LIFT	
⇒ S/N PENDING PER ECN 73680	9-15
S/N PENDING PER ECN 73680⇒	9-17
MAIN LIFT	
THREE STAGE FULL FREE-LIFT	8-8
TWO STAGE FULL FREE-LIFT	9-6
MAST INSTALLATION	
THREE STAGE FULL FREE-LIFT	8-28
TWO STAGE FULL FREE-LIFT	9-30
TWO STAGE LIMITED FREE-LIFT	7-22
MASTER CYLINDER	5-4

TABLE OF CONTENTS (Continued)

DESCRIPTION	PAGE
N	
NON-SUSPENSION SEAT	1-16
O	
OUTER MAST	
THREE STAGE FULL FREE-LIFT	8-2
TWO STAGE FULL FREE-LIFT	9-2
TWO STAGE LIMITED FREE-LIFT	7-2
OVERHEAD GUARD	1-12
P	
PARK BRAKE	
LEVER ACTUATED	5-10
S	
SHIELDS	
TYPE EE	1-8
SHIFT LEVER	4-6
SIDE-SHIFT CARRIAGE	10-6
SIDE-SHIFT CYLINDER	10-8
SIX ROLLER CARRIAGE	
THREE STAGE FULL FREE-LIFT	8-24
TWO STAGE FULL FREE-LIFT	9-26
TWO STAGE LIMITED FREE-LIFT	7-18
SPOT LIGHT	10-28
STEERING AXLE	4-22
STEERING CONTROL UNIT	4-8
STEERING CYLINDER	4-12
STEERING HYDRAULIC	4-10
STEERING MOTOR	
WITH BWI	4-18
WITHOUT BWI	4-20
STEERING POD	4-2
STROBE LIGHT	10-26
SUSPENSION SEAT	1-18
T	
TILT CYLINDER	6-32
TIRE AND WHEEL	
DRIVE WHEEL	10-4
STEER WHEEL	10-2
TRACTION MOTOR	
36V/48V CLOSED	3-10
36V/48V OPEN	3-12
TRANSMISSION AND DIFFERENTIAL	3-6
W	
WIRE HARNESS	
FORWARD/REVERSE LEVER	2-24
MAIN	2-22

ABBREVIATIONS QUICK REFERENCE SHEET

Listed below are abbreviations used in parts manuals to denote the following expressions:

TERM	DEFINITION	TERM	DEFINITION
Amp	Amperes	FRE	Freezer Environment
AR	As Required	in.	inches
BDI	Battery Discharge Indicators	LPG	Liquefied Petroleum Gas
BWI	Brush Wear Indicator	MAP	Manifold Absolute Pressure
CE	Communicator End	mm	millimeters
CRE	Corrosive Environment	MSTS	Microprocessor Spark Timing System
D/B	Date Break	NPT	National Pipe Threads
dbA	Decibel "A" Scale	O/S	Oversize
DE	Drive End	PTO	Power Take Off
ECH	Empty Container Handler	RPM	Revolutions per Minute
ECH-3	Empty Container Handler - 3 High Stacking	S/N	Serial Number
ECH-4	Empty Container Handler - 4 High Stacking	TMM	Truck Management Module
ECH-5	Empty Container Handler - 5 High Stacking	UL Type D	Diesel-Powered Safety Rating
ECH-6	Empty Container Handler - 6 High Stacking	UL Type DS	Diesel-Powered Safety Rating
ECH-7	Empty Container Handler - 7 High Stacking	UL Type E	Battery-Powered Safety Rating
ECM	Electronic Control Module	UL Type EE	Battery-Powered Safety Rating
ECN	Engineering Change Notice	UL Type ES	Battery-Powered Safety Rating
EEPROM	Electrically Erasable Programmable Read Only Memory	UL Type G	Gasoline-Powered Safety Rating
EPROM	Electrically Programmable Read Only Memory	UL Type GS	Gasoline-Powered Safety Rating
		UL Type LP	Gas-Powered Safety Rating
		UL Type LPS	LP Gas-Powered Safety Rating
		U/S	Undersize
		UL	Underwriters Laboratory
		V	Volts

HOW TO USE THE ILLUSTRATED PARTS MANUAL

This parts manual describes and illustrates assemblies, subassemblies, and detail parts needed for service replacement.

The different constructions are indicated by keys and footnotes. The callouts correspond to descriptions found on the the next page.

HYSTER UNIT CODE D001 NORTH AMERICA 06/2001

TABLE OF CONTENTS

DESCRIPTION	PAGE
AIR INTAKE AND FILTER DIESEL (⇒ D/B 11/96 ⇒)	3-22
AIR INTAKE AND FILTER DIESEL (D/B 11/96 ⇒)	
AIR INTAKE AND FILTER GASOLINE AND LPG	
ALTERNATOR GASOLINE, LPG, AND DIESEL	
ALTERNATOR TYPES GS, LPS, AND DS	
AUXILIARY FUNCTION TUBE TWO AND THREE STAGE FULL F	

SECTION 13 NUMERICAL INDEX

PART NO.	ITEM PAGE NO.	PART NO.	ITEM PAGE NO.	PART NO.	ITEM PAGE NO.
142	3-4 19	10-13	25	11-27	29
12445	3-32 19	10-17	6	11-31	25
	3-34 1	10-27	11	11-32	37
		-11	6	16485	8-4 29
		-21	11		8-4 45
		4	13		8-8 34
		12	6		9-7 9
		17	9		9-7 19
		9	10		9-11 9
		23	46		9-11 17
		27	46		10-9 21
		26	14		10-9 28
		28	14		10-13 16
		29	14		11-7 24
		30	14		11-9 17
		30	28		
		30	28		

SECTIONS

- 1
- 2
- 3
- 4
- 5
- 6
- 7
- 8
- 9
- 10
- 11

TRANSMISSION HOUSING ⇒ S/N D001H-2628

KEY:
A: Diesel
B: Gasoline and LPG

ITEM	PART NO.	DESCRIPTION	QTY
			A B
		Transmission	1 -
		Transmission	1 1
		Case	2 2
		Bearing Cap	4 4
1	2021670	Washer	4 4
2	2023418	Bolt	1 1
3	296426	Cover	2 2
4	293582	Cotter Pin	4 4
5	2021390	O-Ring	1 1
6	1371656	Plug	4 4
7	2021329	Housing	22 22
8	2021915	Pin	39 39
9	2021675	Bolt	1 1
10	2021336	Lockwasher	1 1
11	287860	Hydraulic Pump	8 8
12	292582	Fig 5-3	8 8
13		Gasket	1 1
14	2021345	Bolt	1 1
15	214364	Washer	1 1
16	296418	Temperature Switch	1 1
17	2021388	Breather	9 9
18	2021389	Dipstick	9 9
19	2021383	Bolt	2 2
20	292515	Nut	3 3
21	136832	Bolt	2 2
22	292527	Capscrew	4 4
23	292531	Lockwasher	4 4
24	292883	Bolt	1 1
25	293937	Washer	1 1
26	296420	Transmission Kit (Includes Item 7)	1 1
	996403	Transmission Kit (Includes Item 14)	1 1
	996405		

This Parts Manual is divided into 11 major sections which are listed above. Quick reference can be made by placing the right thumb on the tab of the desired section, bending the pages to the corresponding tab.

See Service Manual for service procedures.

©Copy Right Date HYSTER COMPANY

5-15

HP990004

HOW TO FIND THE DESIRED PART NUMBER

WHEN THE PART NUMBER AND THE NEXT HIGHER ASSEMBLY IS NOT KNOWN:

1. Determine the function and application of the part required. Turn to the Sections Page. Choose the general area of reference most likely to include the part.
2. Turn to the section you chose. Use the Section Table of Contents to determine the assembly which would normally contain the part required. Then locate the part on the assembly breakdown page.

WHEN THE PART NUMBER IS NOT KNOWN AND THE NEXT HIGHER ASSEMBLY IS KNOWN:

3. Determine the assembly the required part is used on. Turn to the Table of Contents on Page i.
4. Locate the assembly the required part is used on and turn to the page indicated for that assembly. Then locate the part on the assembly breakdown page.

WHEN THE PART NUMBER IS KNOWN:

5. Use the Numerical Index on Page 11-1 to find the part number. Turn to the page listed and locate the part as indicated by the item number.

GENERAL:

The assembly breakdowns include part numbers, descriptions, quantities required, keys and footnotes to help in selecting correct parts.

6. Five periods in the PART NO. column (.) indicate that the part is either *Not Serviced Separately* or there is a reference to another figure. A figure reference is denoted by a pointing hand followed by a figure number in the DESCRIPTION column (☞Figure 10)
7. Keys are used to show two or more similar assemblies, RH and LH assembly parts, etc. Select the appropriate key, "A", "B", "C", "D", or "E" and the corresponding quantity column to find the required parts. Two periods in the QTY column (..) indicate that the part is not used for that assembly.
8. Indented descriptions under the DESCRIPTION column are used to indicate assemblies and subparts of assemblies. In the example on the

previous page, *BEARING CAP* (Item 2) is a subpart of the major assembly *CASE*.

9. Quantities shown are for one assembly. The quantities of the subpart *BEARING CAP* are indicated as two and two. This means two per *CASE* assembly.
10. Serial number breaks identify the most current parts information and are shown as follows:
 - ⇒ **S/N D001H-2628**
Indicates last serial number affected.
 - S/N D001H-2629** ⇒
Indicates the first serial number affected.
 - S/N D001H-1553** ⇔ **S/N D001H-3291**
Indicates a range of serial numbers affected.

ECN numbers for pending serial numbers are shown to allow for the inclusion of the most current parts information and are identified as follows:

- ⇒ **S/N Pending Per ECN 63243**
Indicates a pending serial number for last unit affected.
- S/N Pending Per ECN 63243** ⇒
Indicates a pending serial number for first unit affected.

Date breaks are used to indicate when a change occurred but a subsequent serial number break was not recorded. This is an arbitrary date usually based on the ECN release and are identified as follows:

- ⇒ **D/B 3/00**
Indicates that a change occurred sometime within that month for the item affected.
- D/B 3/00** ⇒
Indicates that a change occurred sometime within that month for the item affected.
- D/B 3/00** ⇔ **D/B 4/00**
Indicates a range of production dates of the item affected.

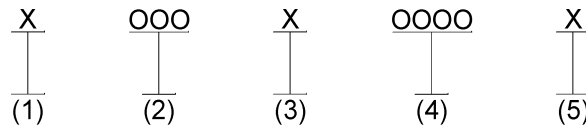
Contact your local dealer for Hyster lift trucks for serial number information for items with a ECN or a date break.

ORDERING PARTS:

When ordering replacement parts, give the unit serial number, part number, name of part and quantity required.

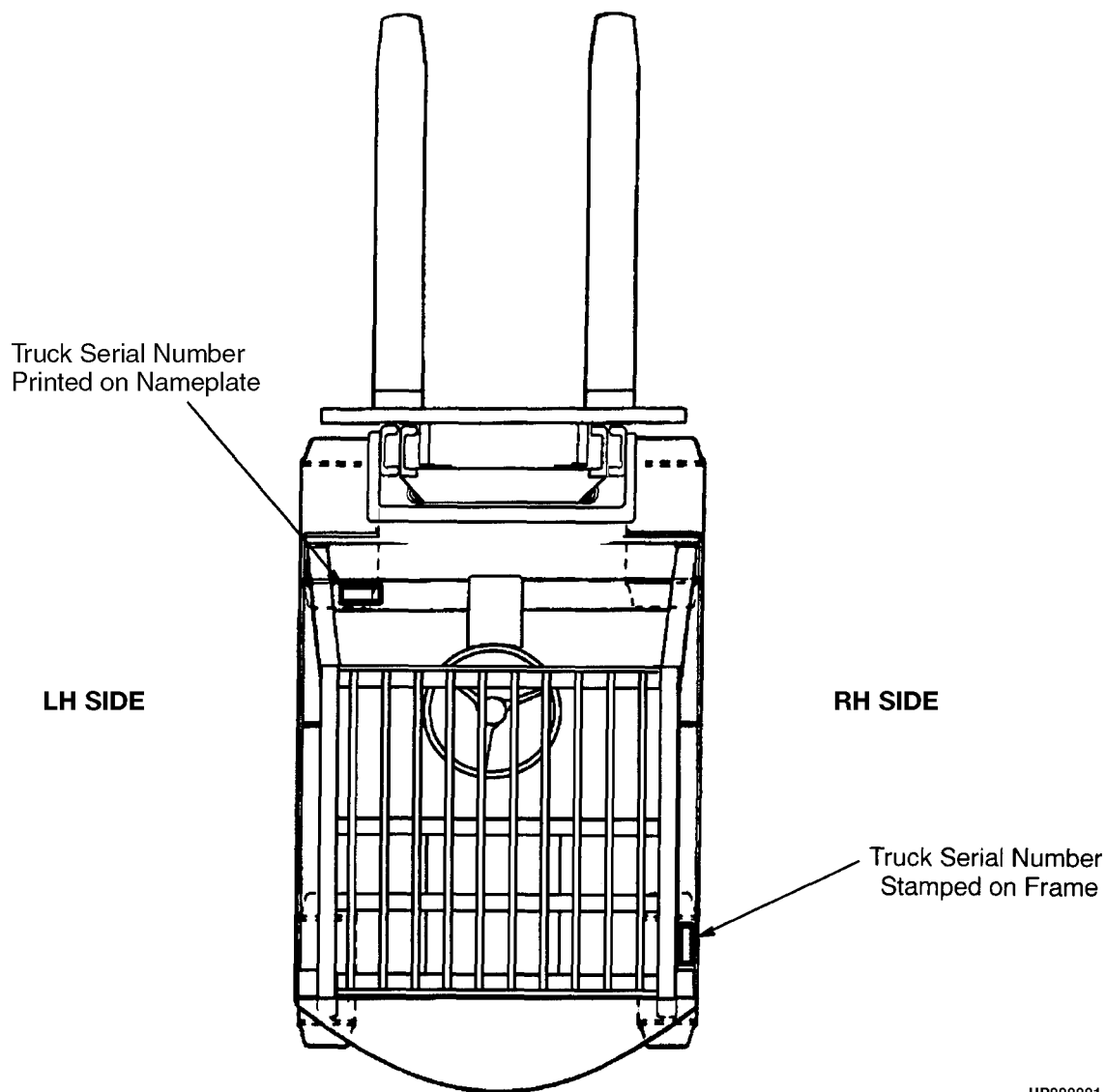
For any further information on parts, service, or ordering, consult your local dealer for Hyster lift trucks.

IDENTIFICATION OF TRUCK SERIAL NUMBERS



- (1) and (2) The first letter and three numbers indicate the truck unit code.
- (3) The second letter indicates the plant of manufacture.
- (4) The four or five digit number indicates the production sequence number of the truck.
- (5) The final letter indicates the year of manufacture starting with "A" in 1957 and 1980. The letters "I", "O", and "Q" will not be used.

For pending serial numbers contact your local dealer for Hyster lift trucks.



Parts referred to in this book as right or left hand parts are in accordance with the illustration above.

PUBLICATIONS

Every new lift truck is provided with an OPERATING MANUAL. This manual has information that the operator must know for inspection and operation of the lift truck.

SERVICE MAINTENANCE MANUALS, which provide service and overhaul procedures, and PARTS MANUALS with complete replacement part identification, are available at a nominal fee from your Hyster dealer to assist users in effectively maintaining Hyster lift trucks in a safe, useful condition. See the list below for information on ordering specific publications for this model lift truck.

PUBLICATION	HYSTER PART NUMBER
Operating Manual	1463725
Service Manual (Complete)	1464843
Parts Manual	1475779

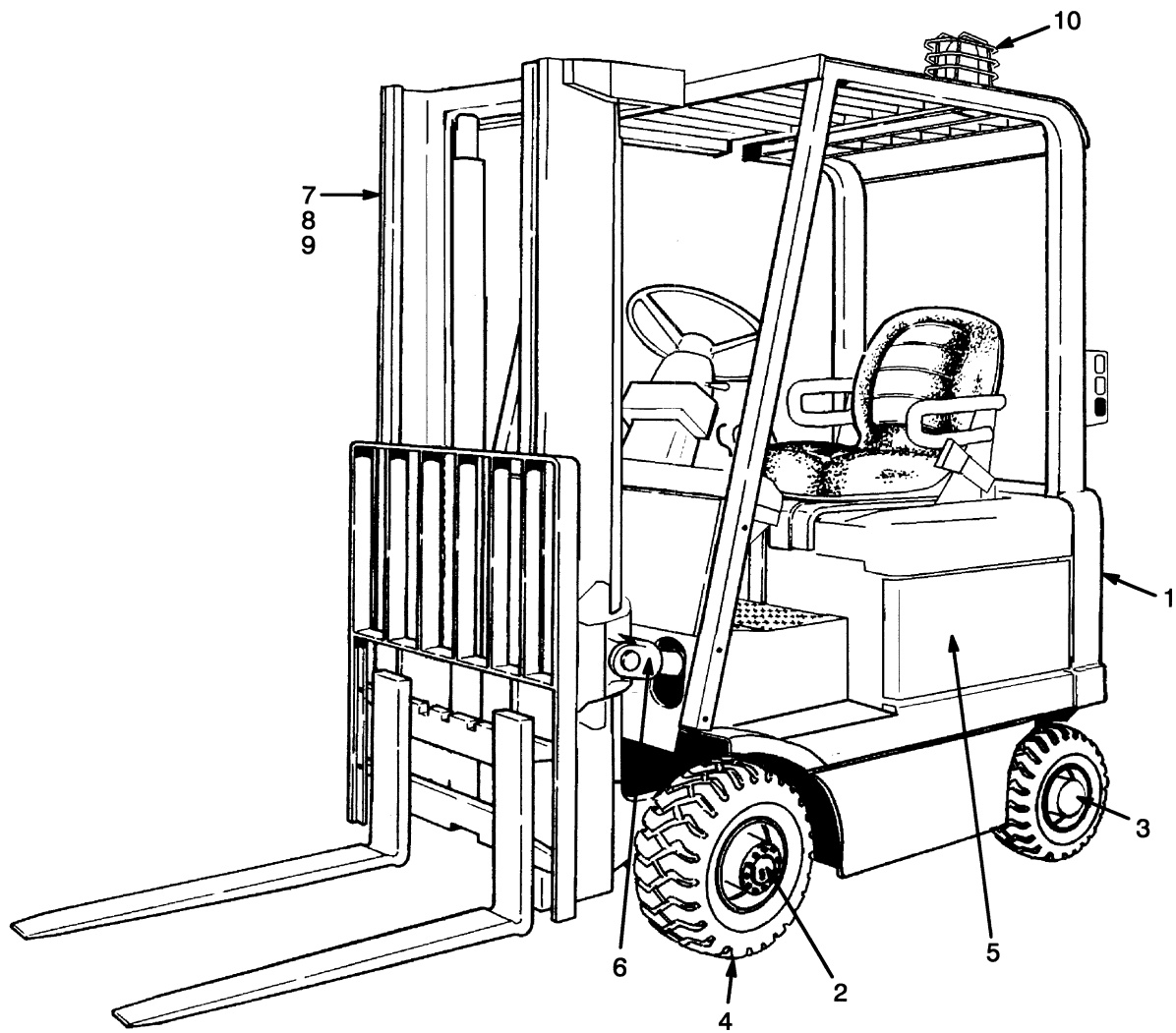
1

FRAME

SECTION 1
FRAME

DESCRIPTION	PAGE
COUNTERWEIGHT	1-14
COVERS	1-6
FRAME	1-4
GENERAL TRUCK	1-2
HOOD.....	1-10
LABELS.....	1-21
NON-SUSPENSION SEAT.....	1-16
OVERHEAD GUARD.....	1-12
SHIELDS	
TYPE EE.....	1-8
SUSPENSION SEAT	1-18

GENERAL TRUCK (Figure 1-1)

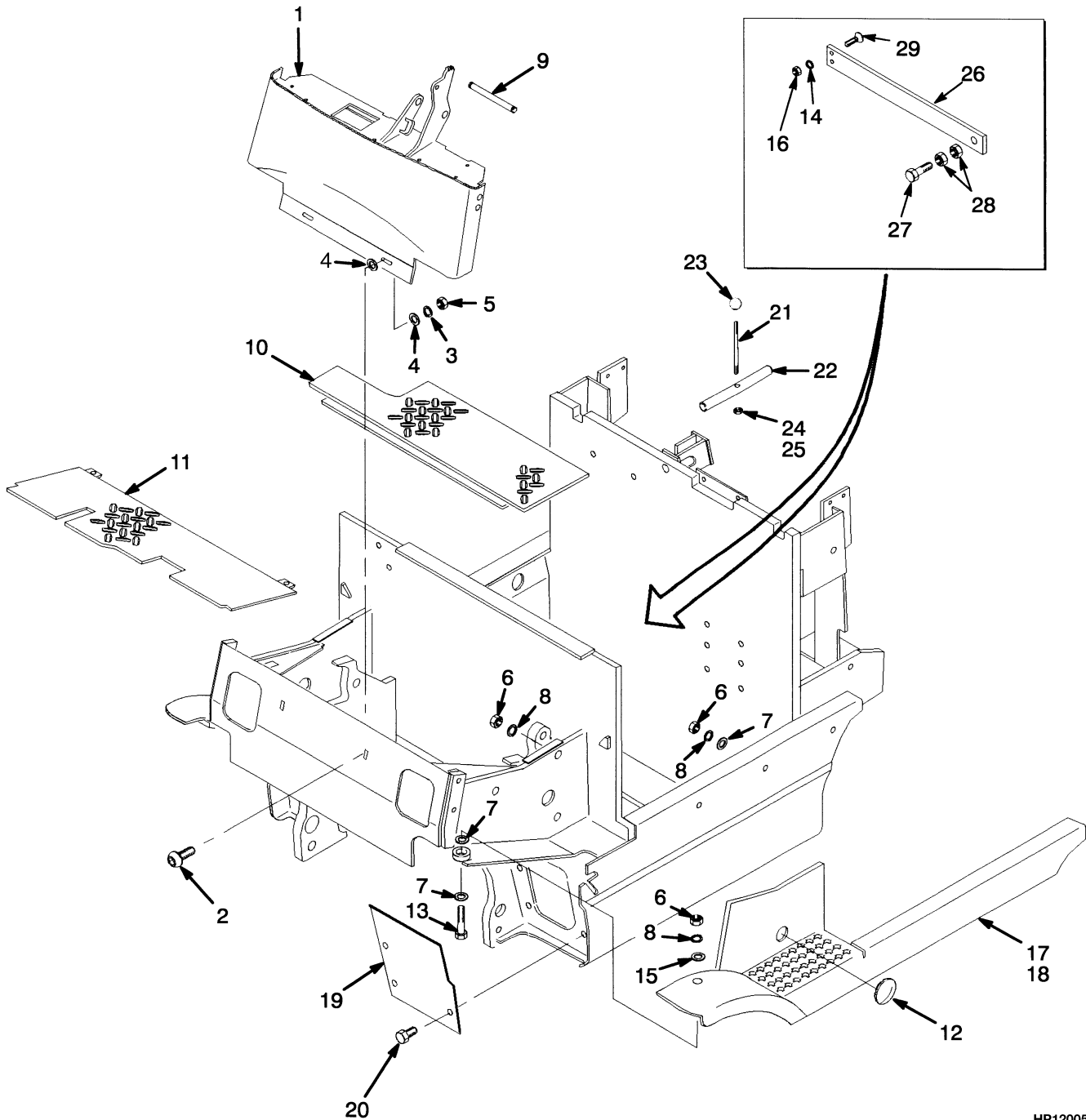


HP990006

GENERAL TRUCK

ITEM	PART NO.	DESCRIPTION	QTY
1	FRAME (☞ Figure 1-2)	1
2	ELECTRICAL SYSTEM (☞ Figure 2-1)	1
3	DRIVE UNIT (☞ Figure 3-1)	1
4	STEERING SYSTEM (☞ Figure 4-1)	1
5	BRAKE/ ACCELERATOR SYSTEM (☞ Figure 5-1)	1
6	HYDRAULIC SYSTEM (☞ Figure 6-1)	1
7	TWO STAGE LIMITED FREE-LIFT MAST (☞ Figure 7-1)	1
8	THREE STAGE FULL FREE_LIFT MAST (☞ Figure 8-1)	1
9	TWO STAGE FULL FREE_LIFT MAST (☞ Figure 9-1)	1
10	OPTIONAL EQUIPMENT (☞ Figure 10-1)	1

FRAME (Figure 1-2)



HP120056

Please Click Here To Download The Complete Manual
Download Other Manuals
If Having Any Questions Feel Free To Contact us

admin@servicemanualbit.com